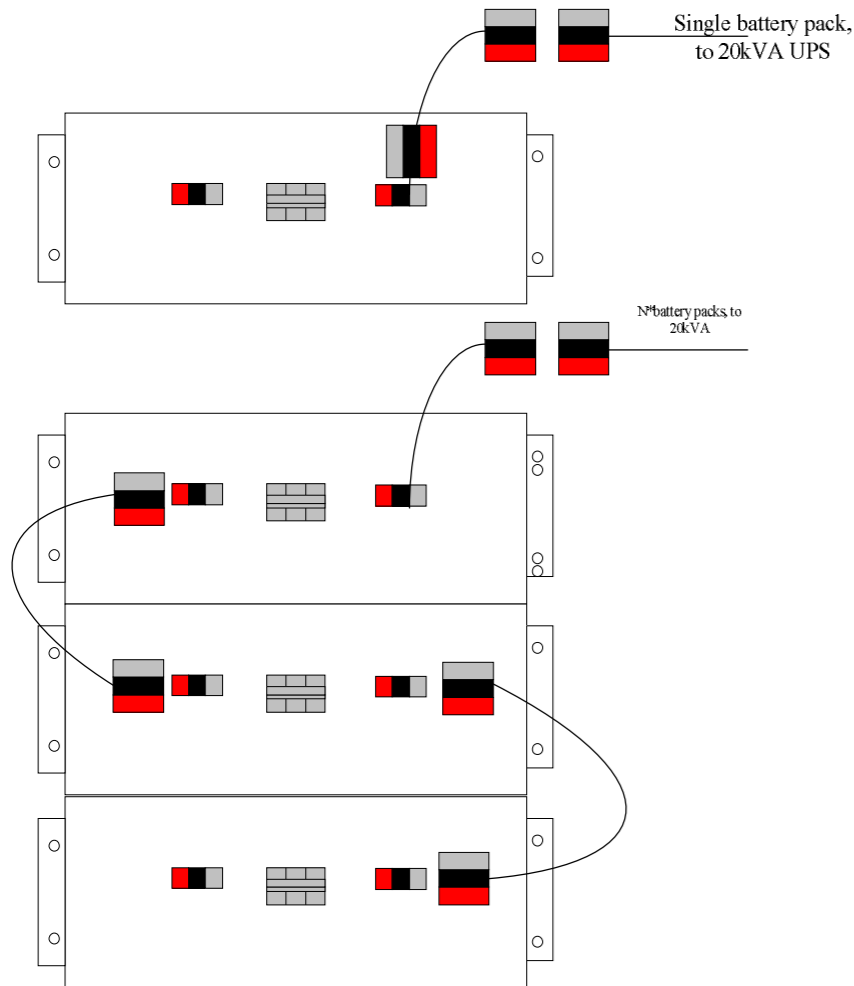


# User Manual

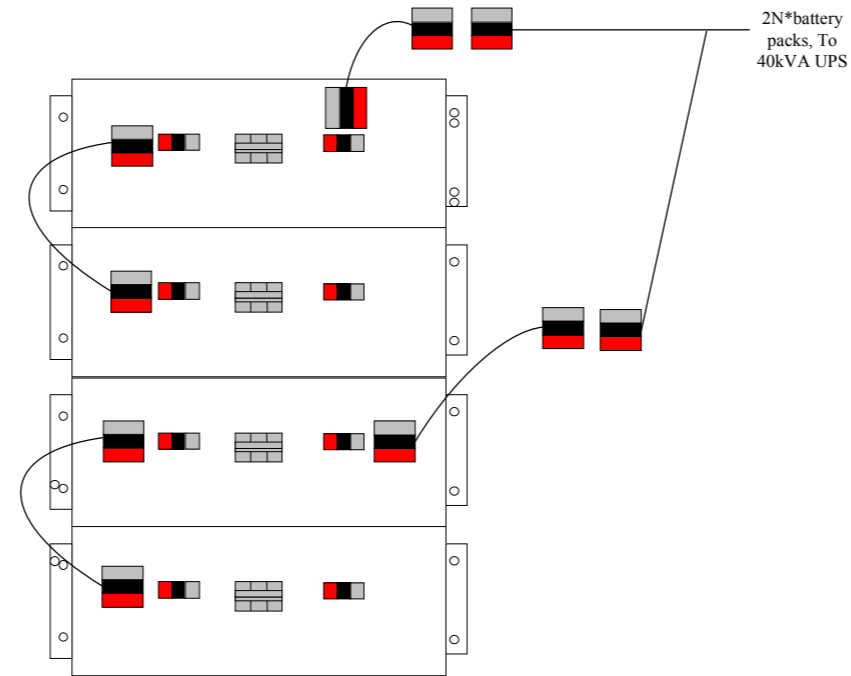
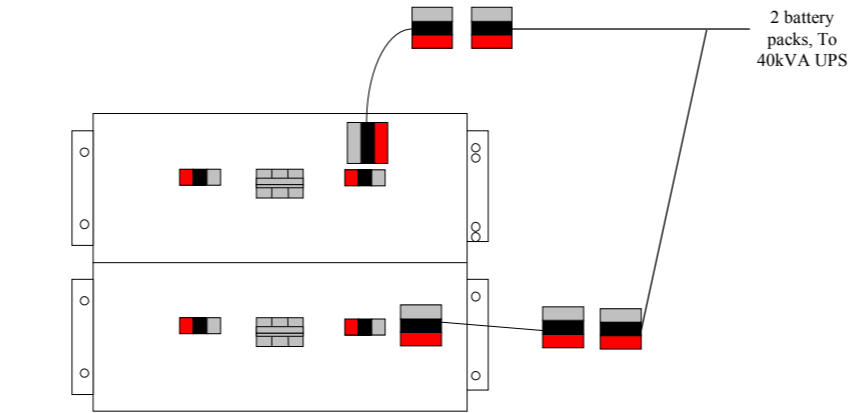
## BAT40-480VDC-PRO Battery Cabinet

### Installation

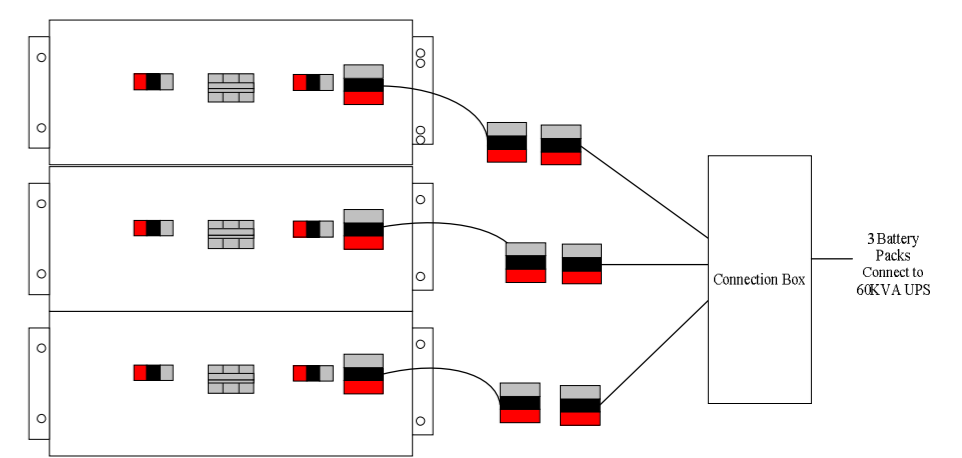
#### Connect to 10-20kVA UPS

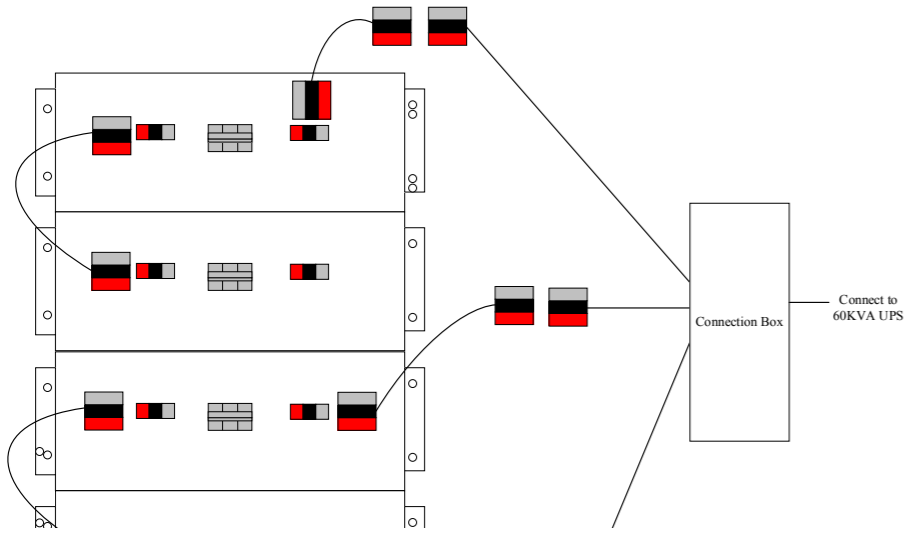


#### Connect to 30-40kVA UPS



#### Connect to 50-60KVA UPS

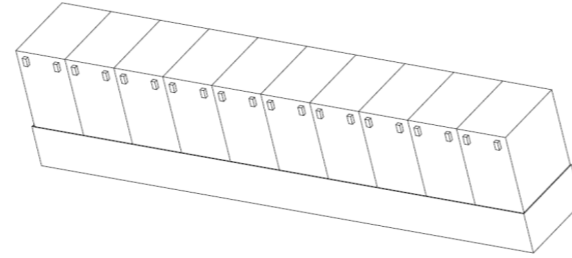




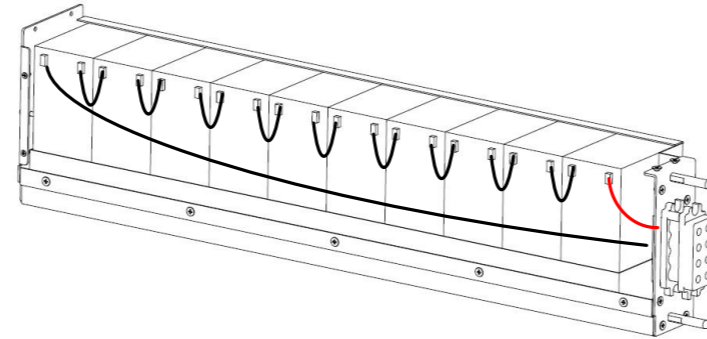
## ■ BATTERY Installation and Maintenance

**step 1:** prepare batteries, plastic box, cables

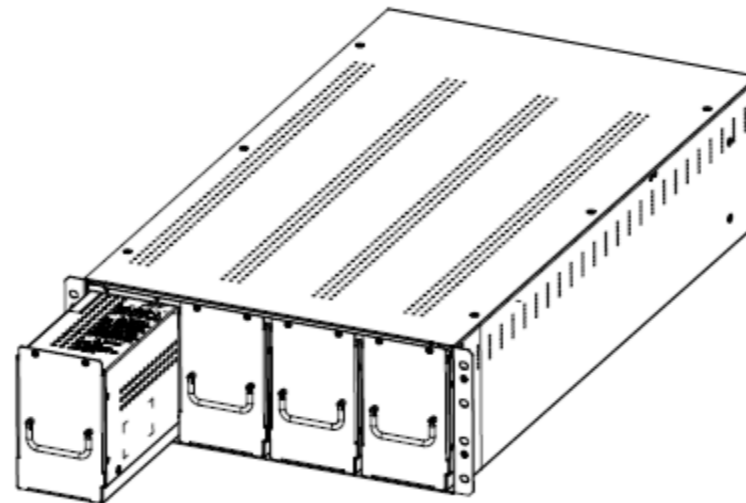
**step 2:** remove the film of cohesive tape and then put 10 blocks of batteries on bottom shell to paste on it.



**step 3:** Insert batteries input battery pack from front side. Connect all cables as below. Then assemble front cover and top cover.



**Step 4:** insert 4 battery packs in the battery cabinet



**step 5:** close battery breaker on rear panel, check the voltage of terminal with multi meter to check if connection is OK.

**step 6:** open battery breaker, cover the front panel.



**WARN:**

**Battery voltage is higher than 400VDC, special care should be taken when working with the battery cabinet.**



**NOTICE:**

**The weight of cabinet is more than 100kg with batteries in it, please move it with tool. OR take out all battery packs and then move cabinet. Please use a pallet which weight capacity is over 150kg.**



**NOTICE:**

**Need 2\*N battery cabinets for 30-45KVA UPS, need 3\*N battery cabinets for 50-60KVA UPS.**